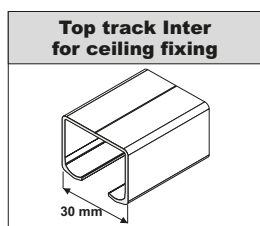
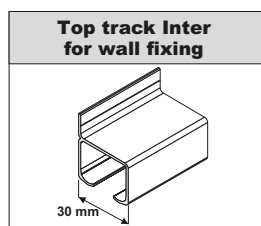


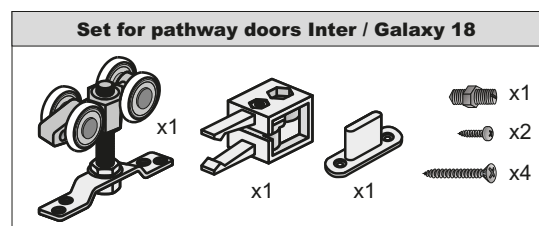
COMPONENTS



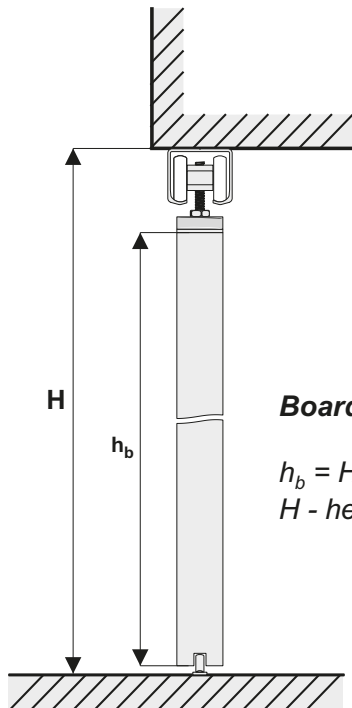
Length: 1.5 m, 2.0 m, 2.5 m, 3.0 m, 4.0 m, 6.0 m



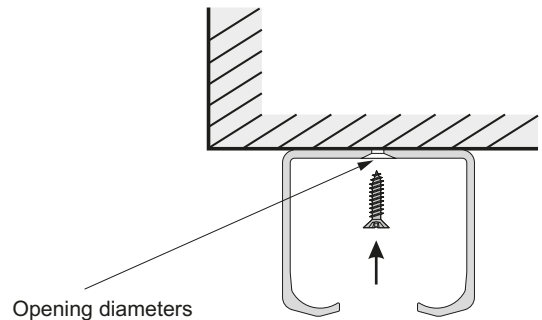
Length: 1.5 m, 2.0 m, 2.5 m, 3.0 m, 4.0 m, 6.0 m



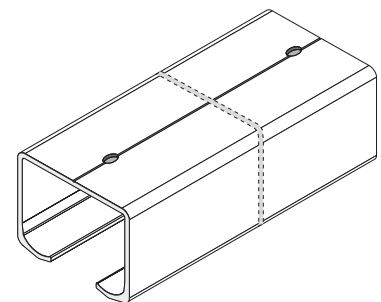
1. Track within the opening



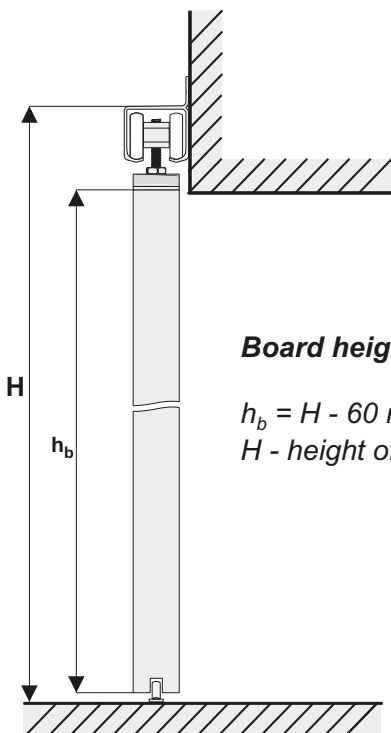
Board height h_b
 $h_b = H - 60 \text{ mm}$
 H - height of the opening



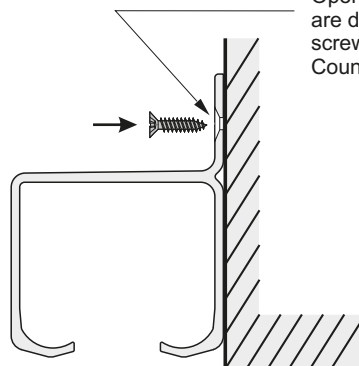
Opening diameters are dependent on screws or bolts used.
 Countersink screw holes



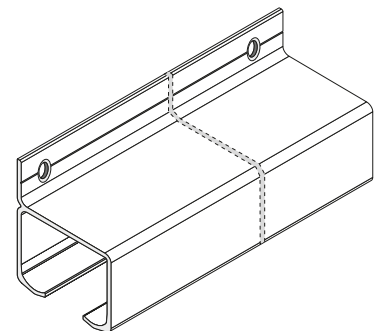
2. Track outside the opening



Board height h_b
 $h_b = H - 60 \text{ mm}$
 H - height of the opening



Opening diameters are dependent on screws or bolts used.
 Countersink screw holes



ATTENTION!

In cases that after track installation there will be no room, insert carriages before installation.